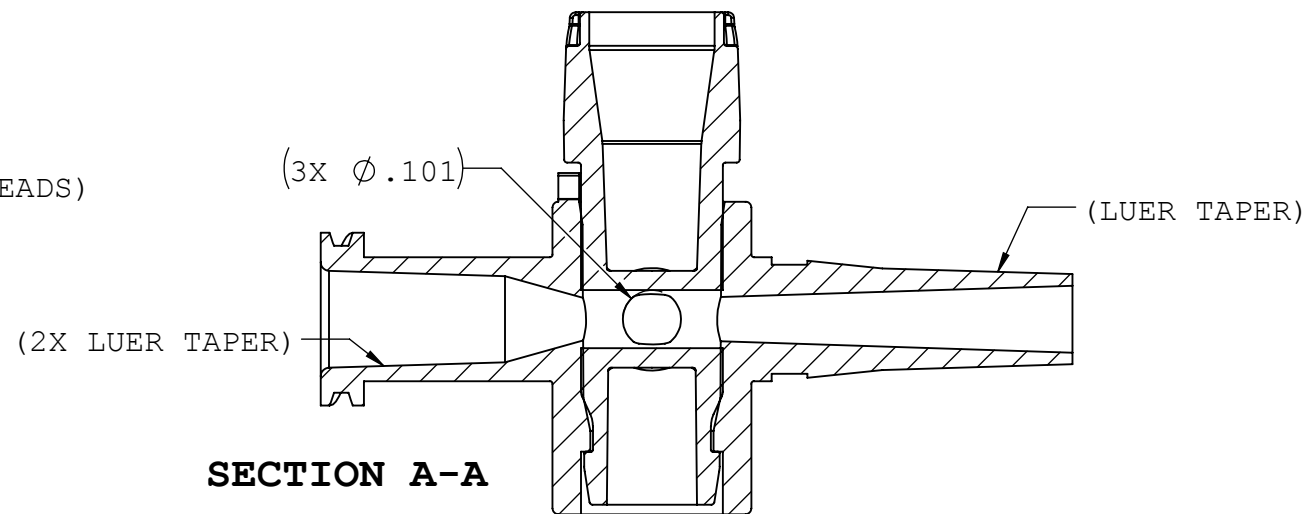
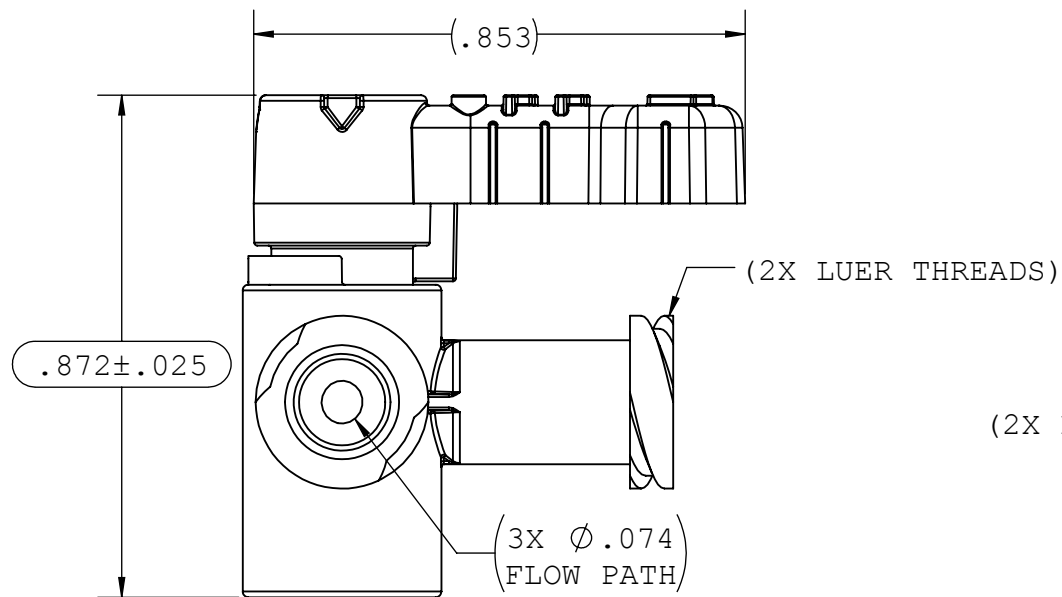
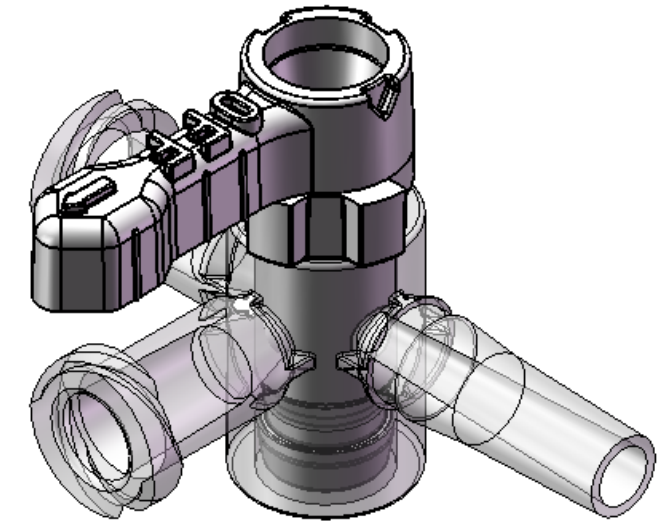
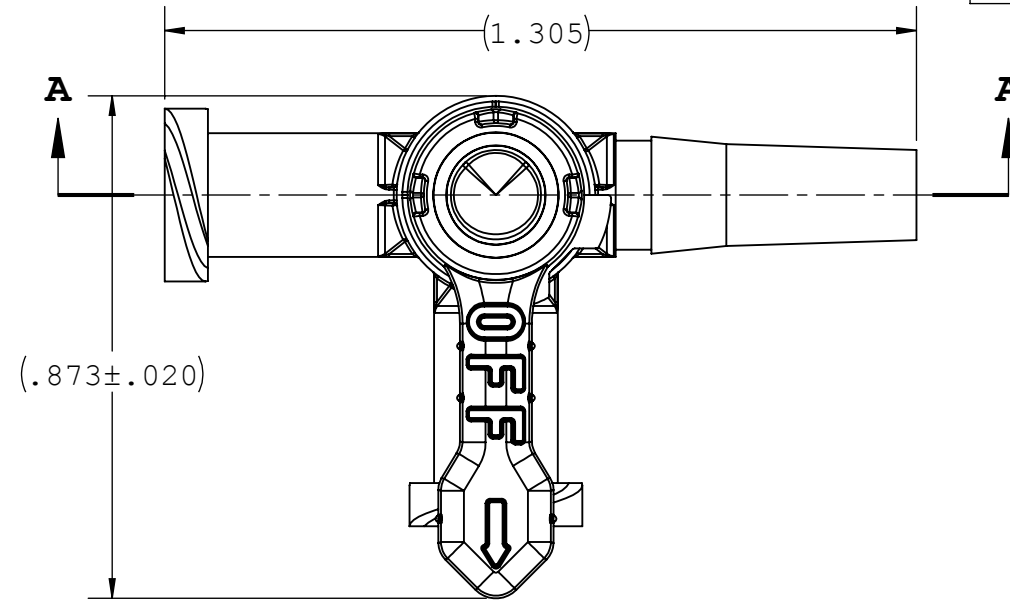


NOTES: FOR ADDITIONAL DETAILS, PLEASE CONTACT VP CUSTOMER SERVICE
 DIMENSIONS MARKED \varnothing ARE CONTROL DIMENSIONS
 PARTS ARE ASSEMBLED IN THE ORIENTATION SHOWN ON THE DRAWING
 ANGLE ALLOWANCE OF DIVERTER ± 10 DEGREES

REVISIONS			
REV.	DESCRIPTION	DATE	APPROVED
A	INITIAL RELEASE	09/02/14	K.R.S.
B	ECO 311	03/15/16	K.R.S.

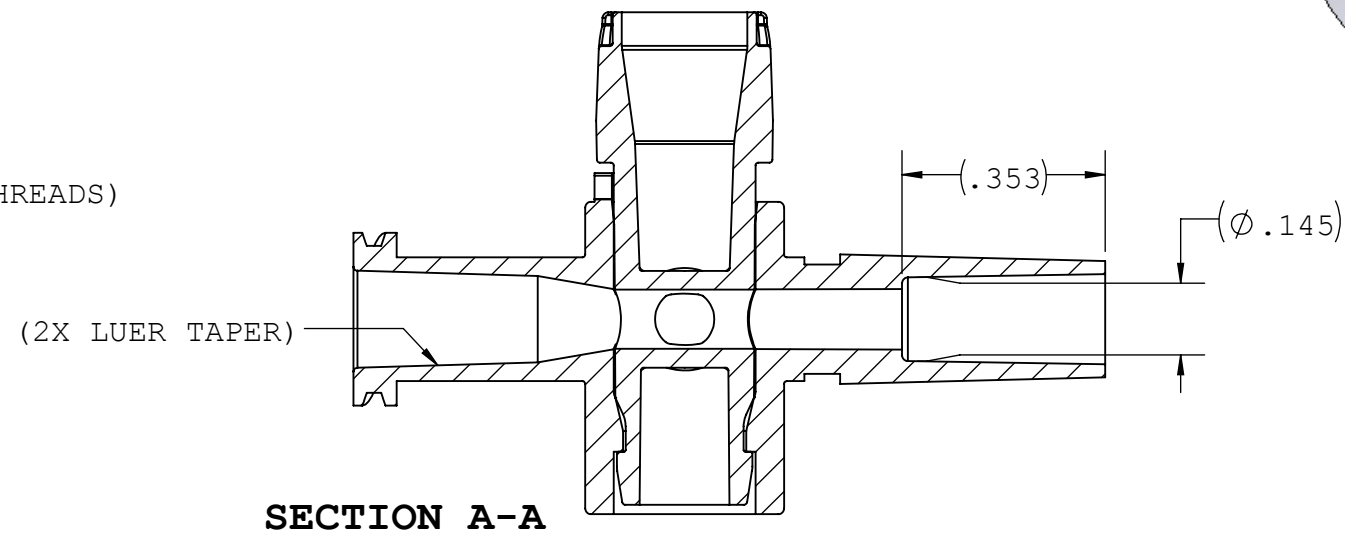
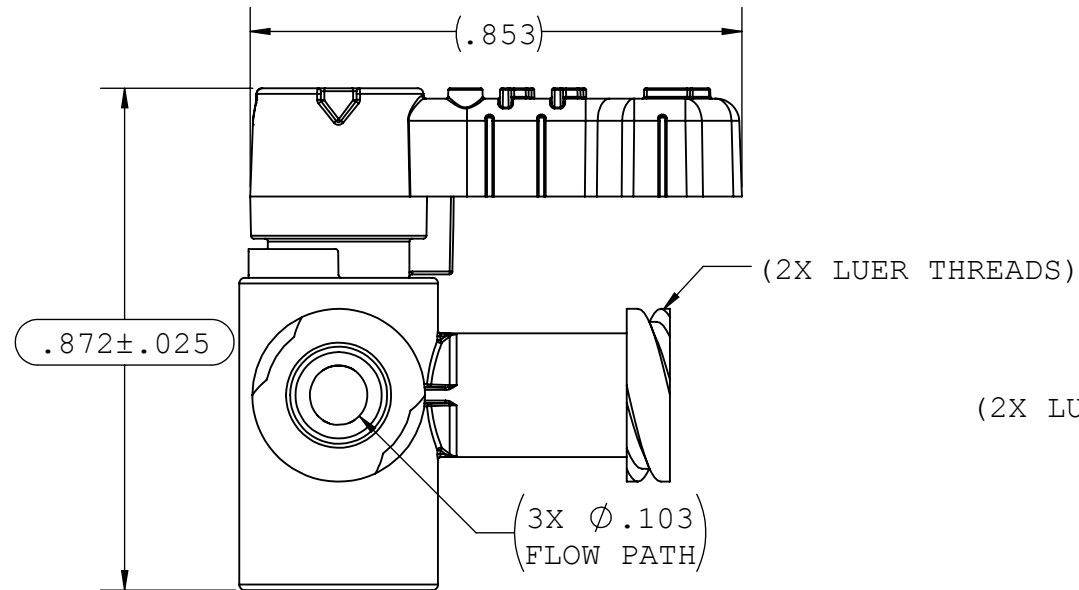
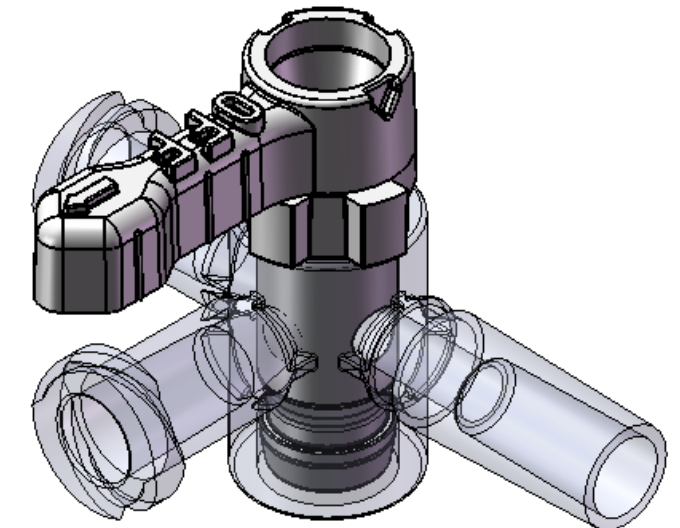
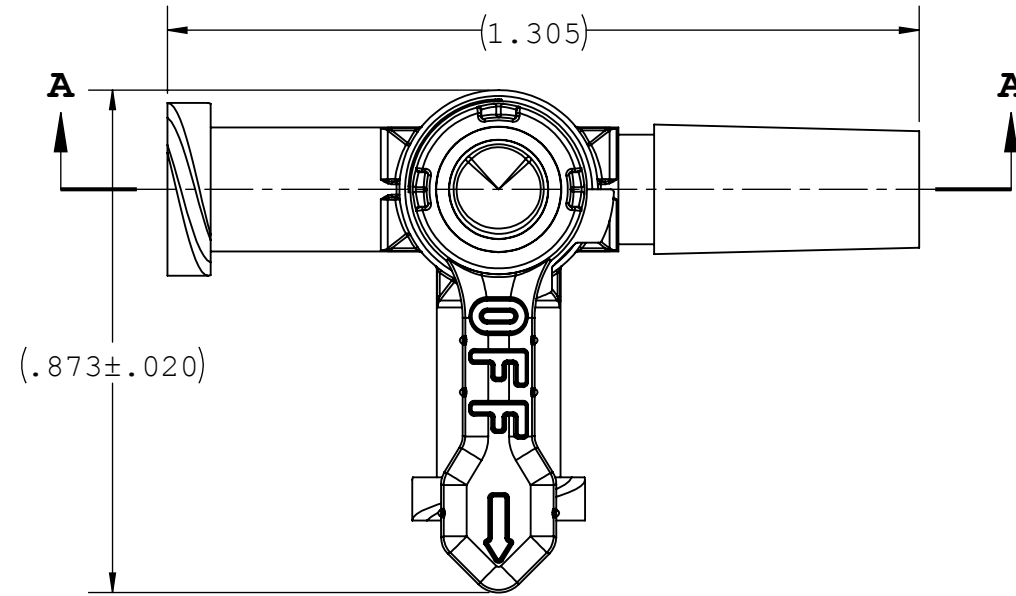


UNLESS OTHERWISE SPECIFIED DIMENSIONS ARE IN INCHES TOLERANCES ARE:		VALUE PLASTICS, INC			
FRACTIONS	DECIMAL				
±	.XX ±.01	± 1°			
	.XXX ±.005				
	.XXXX ±.001				
DO NOT SCALE DRAWING			PART NUMBER: FCLBFFM-001		
DESCRIPTION: STOPCOCK, 3-WAY, FL TO FL TO ML, LG BORE			REV: B		
DRAWN BY: marie.morleyjahn	DATE: 4/4/2016	SIZE: B	SCALE: NTS	VER:	DWG. NO. 1032420
MANAGER: kyles		© 2014 VALUE PLASTICS, INC			SHEET: 1 OF 1

FOR REFERENCE ONLY

NOTES: FOR ADDITIONAL DETAILS, PLEASE CONTACT VP CUSTOMER SERVICE
 DIMENSIONS MARKED \square ARE CONTROL DIMENSIONS
 PARTS ARE ASSEMBLED IN THE ORIENTATION SHOWN ON THE DRAWING
 ANGLE ALLOWANCE OF DIVERTER ± 10 DEGREES

REVISIONS			
REV.	DESCRIPTION	DATE	APPROVED
A	INITIAL RELEASE	01/06/15	K.R.S.
B	ECO 311	02/11/16	K.R.S.



UNLESS OTHERWISE SPECIFIED DIMENSIONS ARE IN INCHES TOLERANCES ARE:		VALUE PLASTICS, INC			
FRACTIONS DECIMAL ANGULAR \pm .XX \pm .01 $\pm 1^\circ$.XXX \pm .005 .XXXX \pm .001 DO NOT SCALE DRAWING		PART NUMBER: FCLBFFM-003			
DRAWN BY: marie.morleyjahn		DATE: 2/11/2016		DESCRIPTION: STOPCOCK, 3-WAY, FL TO FL TO BONDABLE SOCKET, LG BORE	
MANAGER: kyles		SIZE: B	SCALE: NTS	VER: 1032434	REV: B
© 2014 VALUE PLASTICS, INC					SHEET: 1 OF 1

FOR REFERENCE ONLY